

#### Features

- Quarter-turn washerless ceramic disc valves

#### Material

- Premium metal construction for durability and reliability
- Brass valve bodies

#### Installation

- For 8" - 16" (203 - 406 mm) centers



ADA

#### Codes/Standards

ASME A112.18.1/CSA B125.1

NSF/ANSI/CAN 61

NSF/ANSI/CAN 372

All applicable US Federal and State material regulations

ADA




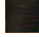
ICC/ANSI A117.1

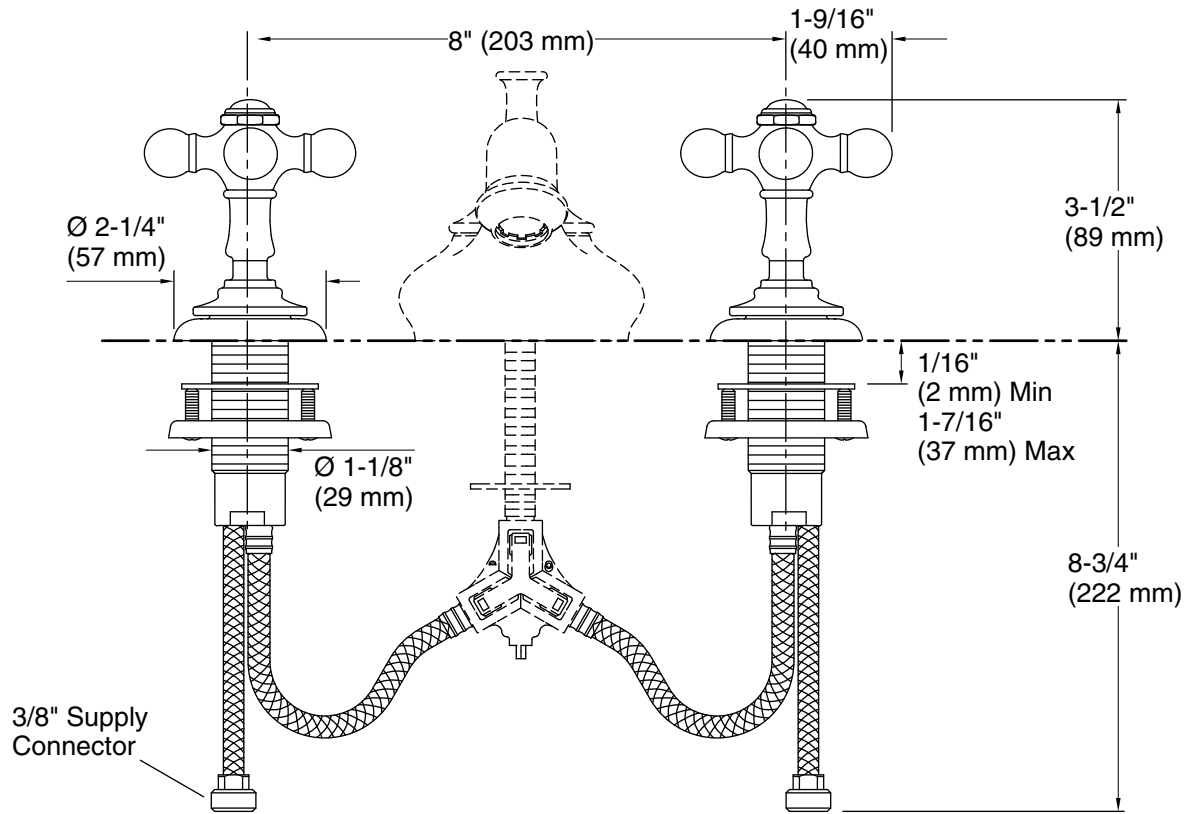
#### KOHLER® Faucet Lifetime Limited Warranty

See website for detailed warranty information.

#### Available Colors/Finishes

*Color tiles intended for reference only.*

Color	Code	Description
	CP	Polished Chrome
	SN	Vibrant™ Polished Nickel
	BN	Vibrant™ Brushed Nickel
	BV	Vibrant™ Brushed Bronze
	2BZ	Oil-Rubbed Bronze
	2MB	Vibrant™ Brushed Moderne Brass



**Technical Information**

All product dimensions are nominal.

**Notes**

Install this product according to the installation instructions.

ADA compliant for handles only.

ADA compliant when installed to the specific requirements of these regulations.